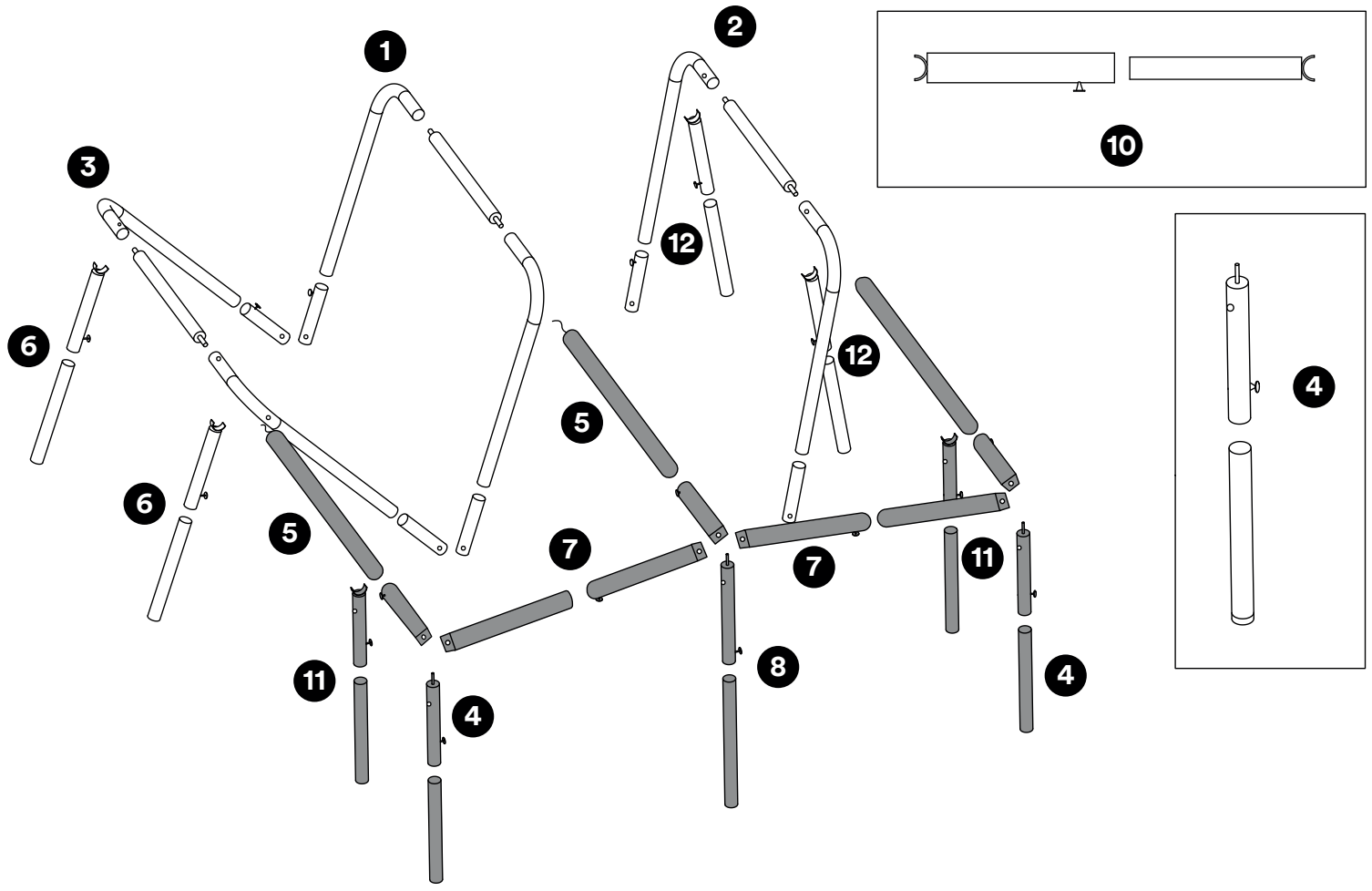


VANGUARD / EXTREMO



ITEM NO.	QUANTITY
1	x1
2	x1
3	x1
4	x2
5	x3
6	x2
7	x2
8	x1
10	x4
11	x2
12	x2